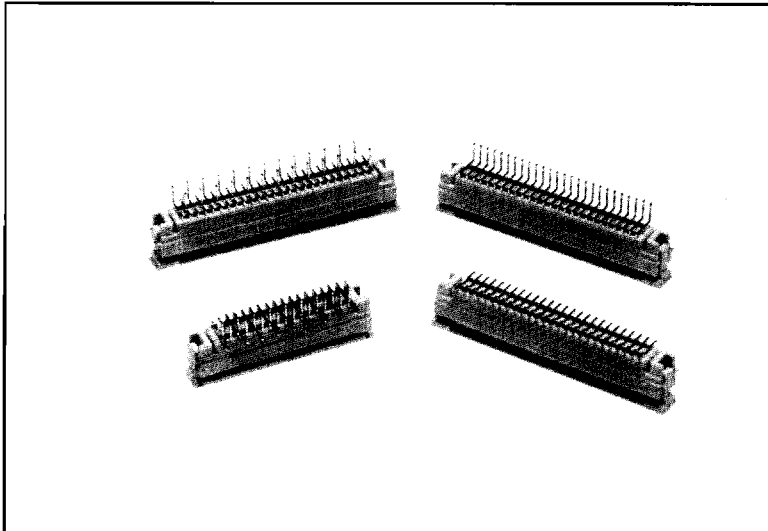




1mm PITCH FLEXPRIINT CONNECTOR
Jiffy-Flex™



benefits

- Double-sided, pre-stressed contact shape guarantees secure contact between flexprint circuit and connector.
- Available in a wide range of contact configurations: 5, 8, 10, 12, 14, 16, 17, 18, 22, 25, 26 and 30

characteristics

Physical

Contact body: LCP (liquid crystal polymer)
 Contact spring: Phosphor bronze
 Contact plating: Tin lead
 Thickness of flexprint: 1.0 mm
 Pitch of flexprint: 1.0 mm
 Pitch of PCB: See drawing
 Operating temperature: -40°C to +85°C at 75% relative humidity

Electrical

Operating current: 0.5 AMP/contact
 Rated voltage: 60 V
 Contact resistance: 20 milliohm (max)
 Dielectric withstanding voltage: 800 V

description

Amphenol's C007 series of High Density 1.00 mm pitch Flexprint Connectors are designed to meet the miniaturization requirements of printed circuit board applications in computers, telephones, printers and other electronic equipment using flexible circuitry.

Amphenol's 1.00 mm pitch Jiffy-Flex™ Connectors feature a zero insertion force latch cam which allows the Flexprint circuitry to be inserted into the connector with little resistance. The dual-beam pre-stressed contact provides a secure connection between the Flexprint circuit and the connector while allowing for a both-sided insertion of the Flexprint.

Jiffy-Flex™ Connectors are available with straight and right-angle contacts for through-hole applications, as well as straight and right-angle contacts for surface mount applications. Contact positions range from 5 positions to 30 positions.

Flex-Print Connector

ordering information

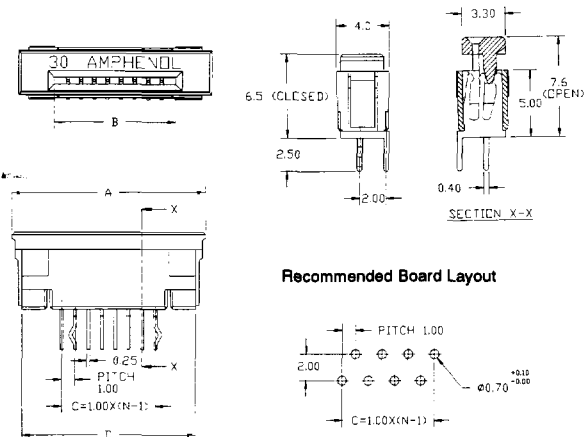
Number of Contacts (N)	PC Through-hole		Surface-mount	
	Straight	Right-angle	Straight	Right-angle
5	C007-10B-005-0001	C007-10B-005-1001	C007-10B-005-1002	C007-10B-005-0002
8	C007-10B-008-0001	C007-10B-008-1001	C007-10B-008-1002	C007-10B-008-0002
10	C007-10B-010-0001	C007-10B-010-1001	C007-10B-010-1002	C007-10B-010-0002
12	C007-10B-012-0001	C007-10B-012-1001	C007-10B-012-1002	C007-10B-012-0002
14	C007-10B-014-0001	C007-10B-014-1001	C007-10B-014-1002	C007-10B-014-0002
16	C007-10B-016-0001	C007-10B-016-1001	C007-10B-016-1002	C007-10B-016-0002
17	C007-10B-017-0001	C007-10B-017-1001	C007-10B-017-1002	C007-10B-017-0002
18	C007-10B-018-0001	C007-10B-018-1001	C007-10B-018-1002	C007-10B-018-0002
22	C007-10B-022-0001	C007-10B-022-1001	C007-10B-022-1002	C007-10B-022-0002
25	C007-10B-025-0001	C007-10B-025-1001	C007-10B-025-1002	C007-10B-025-0002
26	C007-10B-026-0001	C007-10B-026-1001	C007-10B-026-1002	C007-10B-026-0002
30	C007-10B-030-0001	C007-10B-030-1001	C007-10B-030-1002	C007-10B-030-0002



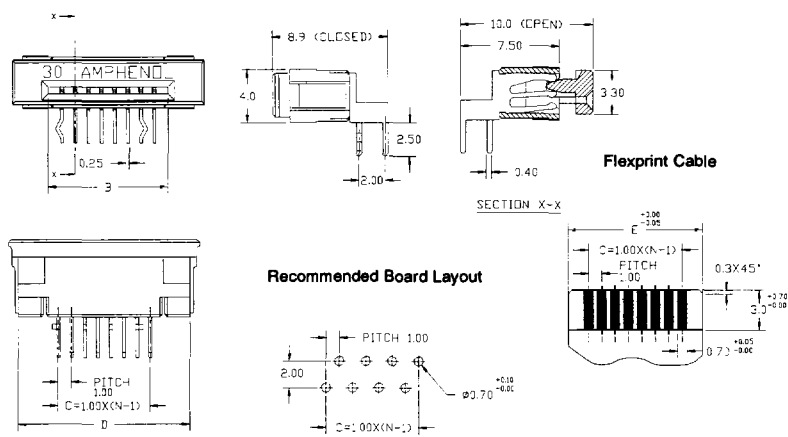
1mm PITCH FLEXPRINT CONNECTOR
Jiffy-Flex™

dimensions
PC Through-hole

Straight

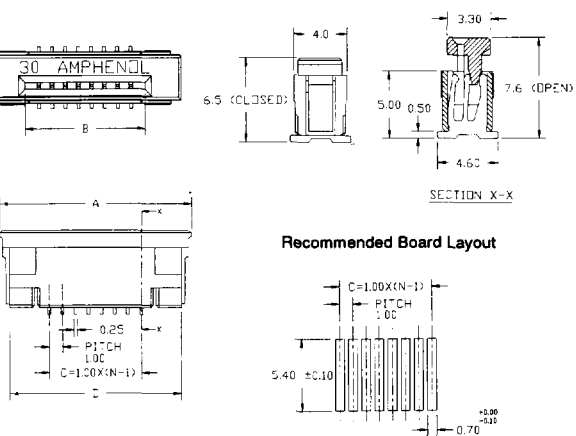


Right-Angle

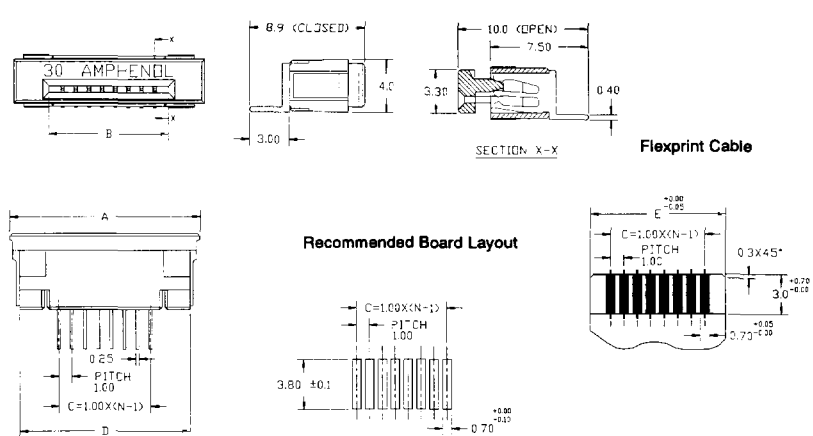


Surface Mount

Straight



Right-Angle



Flex-Print Connector

Part Number	Number of Contacts (N)	Dimensions in Millimetres				
		A	B	C	D	E
C007-10B-005-XXXX	5	11.50	6.10	4.00	10.00	6.10
C007-10B-008-XXXX	8	14.50	9.10	7.00	13.00	9.10
C007-10B-010-XXXX	10	16.50	11.10	9.00	15.00	11.10
C007-10B-012-XXXX	12	18.50	13.10	11.00	17.00	13.10
C007-10B-014-XXXX	14	20.50	15.10	13.00	19.00	15.10
C007-10B-016-XXXX	16	22.50	17.10	15.00	21.00	17.10
C007-10B-017-XXXX	17	23.50	18.10	16.00	22.00	18.10
C007-10B-018-XXXX	18	24.50	19.10	17.00	23.00	19.10
C007-10B-022-XXXX	22	28.50	23.10	21.00	27.00	23.10
C007-10B-025-XXXX	25	31.50	26.10	24.00	30.00	26.10
C007-10B-026-XXXX	26	32.50	27.10	25.00	31.00	27.10
C007-10B-030-XXXX	30	38.50	31.10	29.00	35.00	31.10